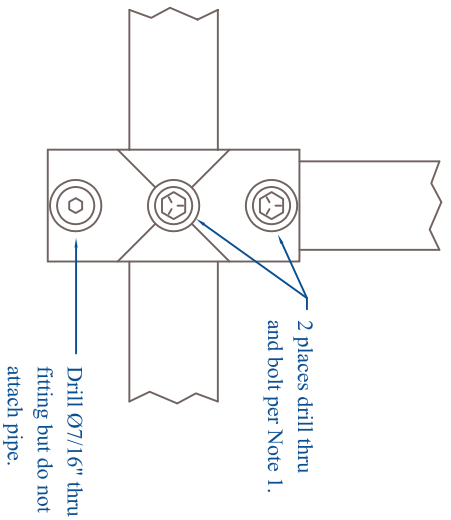
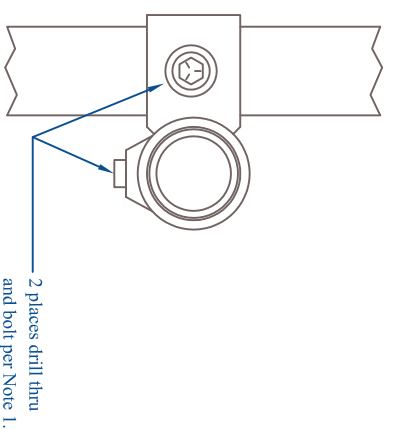


DETAIL A: TEE



DETAIL B: CROSS




DETAIL C: CROSSOVER

NOTES:

1. To assemble:
 - A. Insert pipes until bottom-out
 - B. Drill $\text{Ø}7/16"$ thru fitting and pipe, concentric with set screw.
 - C. Tighten set screw.
 - D. Bolt thru with $5/16-18 \times 3"$ hex bolt and nylock nut.
2. Orient horizontal ground-level fittings such that set screws face upward. Orient vertical ground-level fittings such that set screws face outward. Orient remaining fittings as shown on sheet 1.
3. See Sheet 4 for Bill of Materials and frame disassembly for shipping.

REV	Description	Date	Appr.
A	Initial Release	6-11-09	BJ
B	Added Bill of Materials	11-21-09	BJ

 <p>Polar Permanent GPS Station Margin Structural Frame, Small</p>		<p>Part Number PPS-TF-008</p>	<p>Rev B</p>
<p>UNAVCO, Inc. POLAR SERVICES 6350 Nautilus Dr., Boulder CO 80301 303-381-7500, 303-381-7451 fax</p>		<p>Drawing: S. White Engineering: S. White Approval: B. Johns Date Modified: Nov 21 2009</p>	
<p>SHEET 2 OF 4</p>			