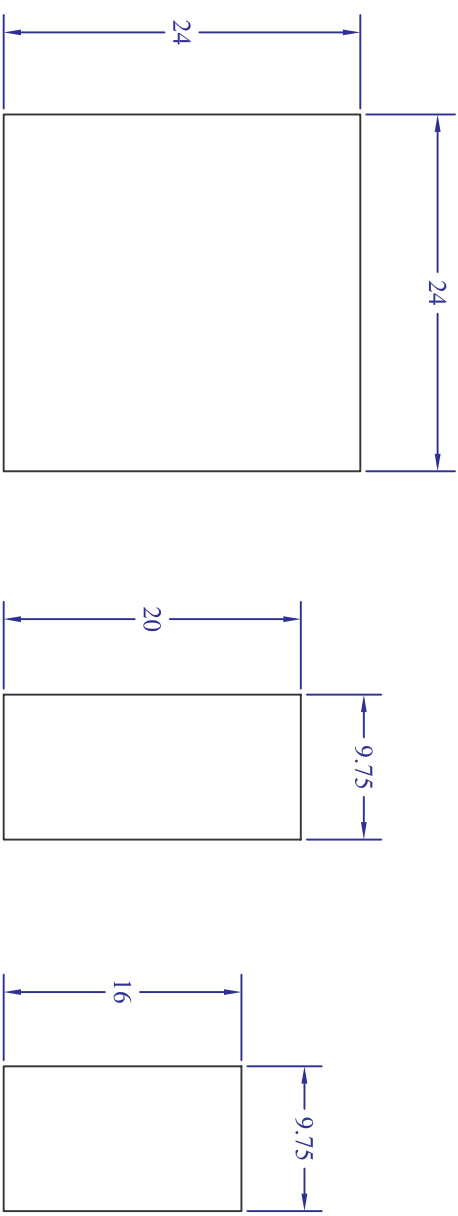
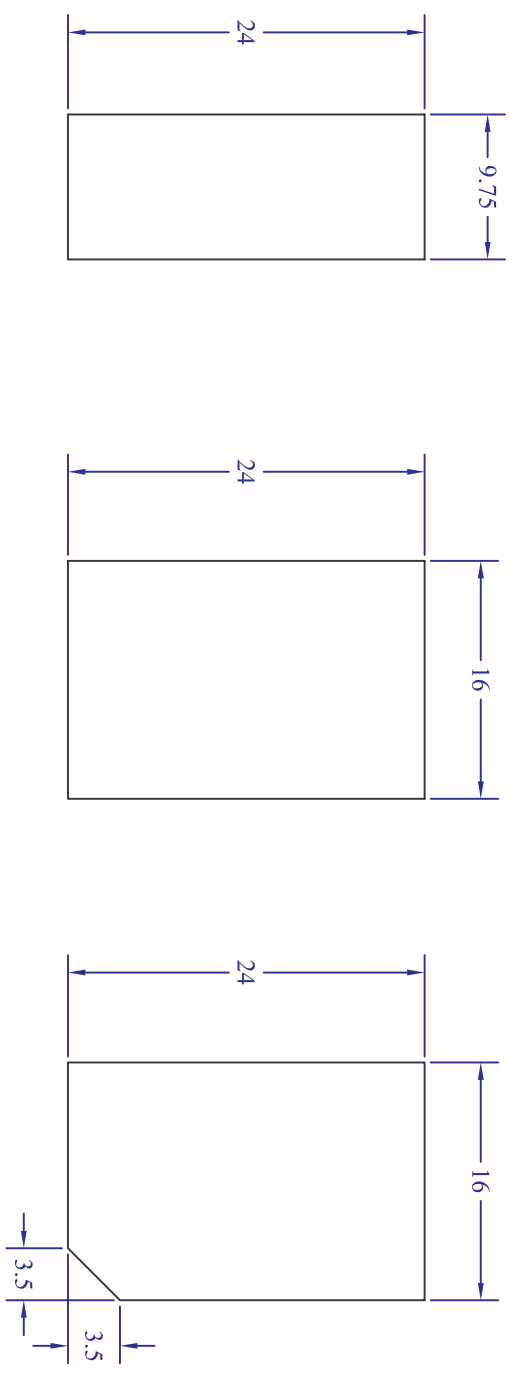


REV	Description	Date	Appr.
A	Initial Release	10/11/07	
B	Side panel 9 3/4" tall no fiberglass on bottom panel	10/17/07	
C	Complete redesign	5/29/08	
D	Notch piece: 3.5x3.5 cut, 15.75 width	6/9/08	
E	Added tolerances	6/17/08	
F	Notch piece 16". Tighter tolerances.	10/31/08	BJ



- Notes:
- Vacuum Insulation Panels, 1"±1/16" thickness
 - Length/width tolerance ±1/8".
 - Hardigg MM24 enclosure requires the following quantities:
 24 x 24: 2x
 24 x 16: 5x
 16 x 9.75: 6x
 24 x 9.75: 4x
 20 x 9.75: 2x
 24 x 16 with notch: 1x

**Polar Permanent GPS Station
Plateau Station Vacuum Insulation**

UNAVCO, Inc.
 POLAR SERVICES
 6350 Nautilus Dr., Boulder CO 80301
 303-381-7500, 303-381-7451 fax

UNAVCO

Part Number	Rev
PPS-EN-007	F

Drawing:	S. White
Engineering:	S. White
Approv:	B. Johns
Date Modified:	Oct 31 2008
SHEET	1 OF 1