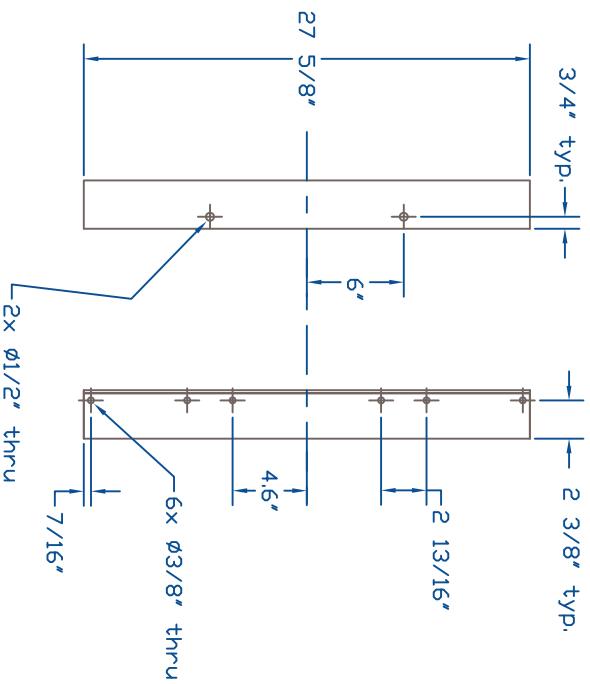
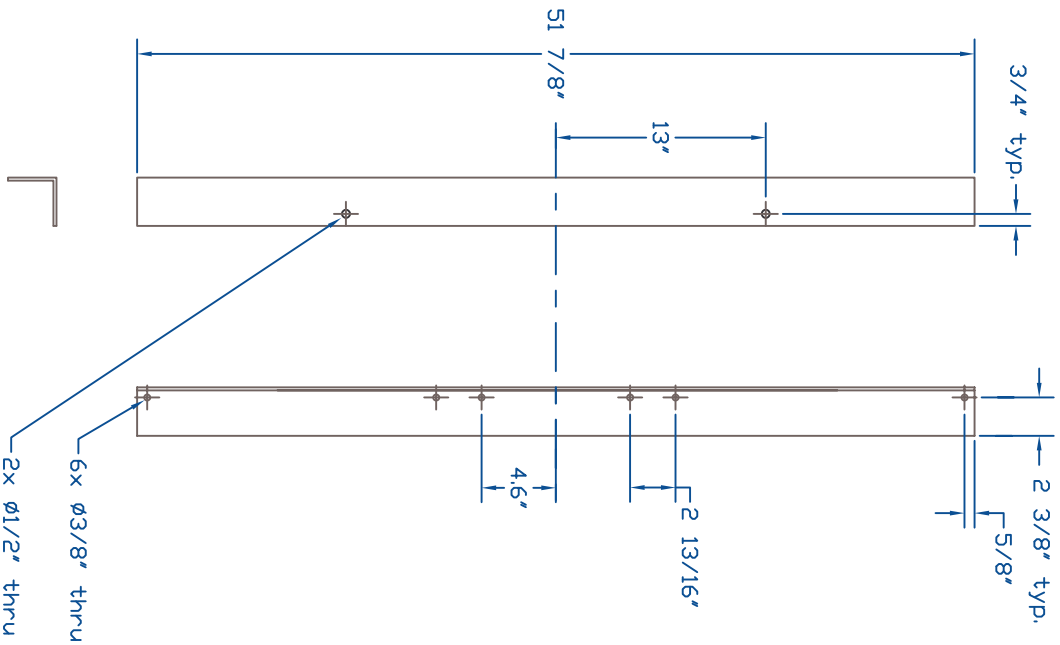


REV	Description	Date	Appr.
A	Initial Release	4/20/07	
B	Added two 1/2" and four 3/8" holes; bolting changed.	8/7/07	BJ
C	Spec'd architectural angle	8/19/10	BJ



NOTES:

1. Material is 3" x 3" x 3/16" 6000 series tempered architectural aluminum angle (sharp corner).
2. Two Long Members and Two Short Members per cradle
3. Tolerances ±1/16"
4. See Sheet 2 for assembly

Coastal Polar GPS Station MM24 Enclosure Cradle		Part Number PPS-EN-001	Rev C
UNAVCO, Inc. POLAR SERVICES 6350 Nautilus Dr., Boulder CO 80301 303-381-7500, 303-381-7451 fax		Drawing: S. White Engineering: S. White Approval: B. Johns Date Modified: August 19 2010	SHEET 1 OF 2

