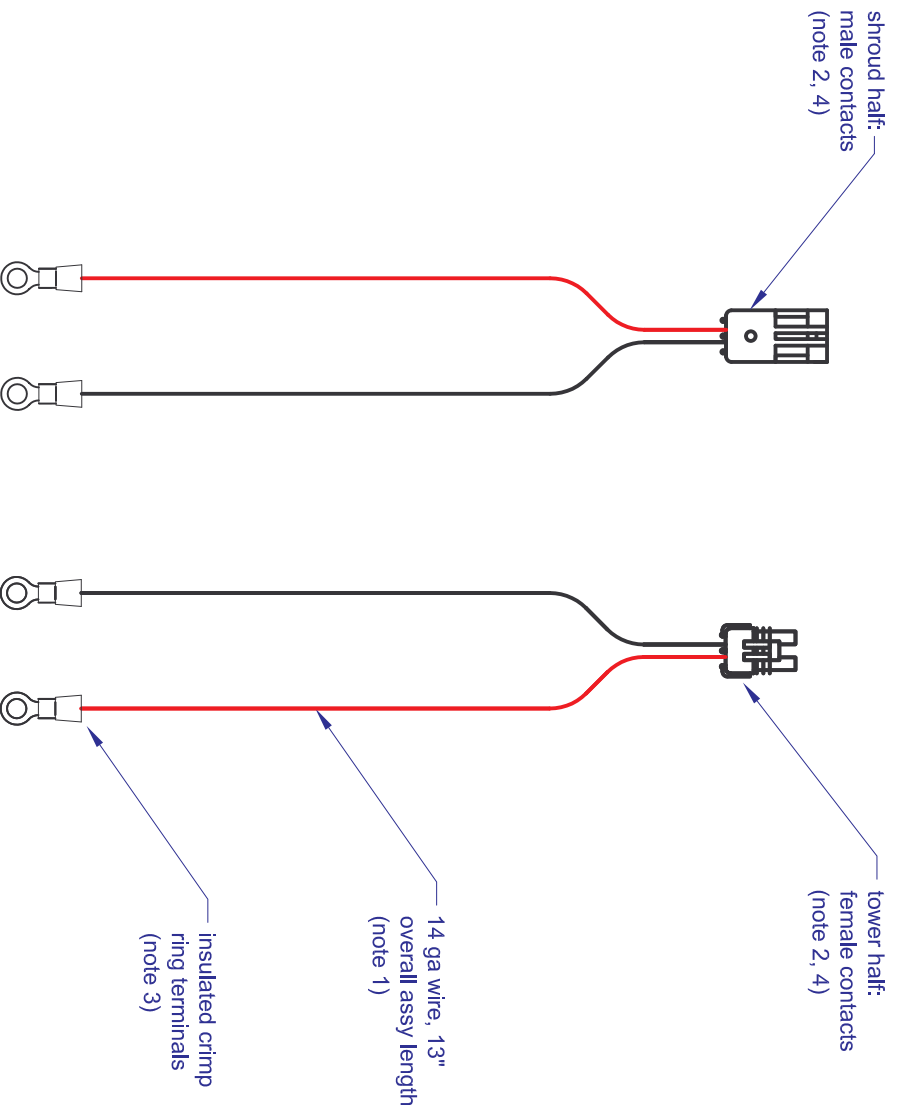


REV	Description	Date	Appr.
A	Initial release	12-20-07	
B	Reversed red/black wiring; spec'd ring terminal	3-20-08	BJ



**NOTES:**

1. Wire is Polar Wire 14 gauge: AUF-14BLK and AUF-14RED
2. Connectors are Weatherpack 2-way assemblies:  
WPT-2 tower half with WPF-15 female crimp contacts,  
WPS-2 shroud half with WPM-15 male crimp contacts,  
WPS-GRA cable seals each wire
3. Ring terminals are 3M 123-38-NB nylon-insulated heavy-duty crimp style (16-12 gage wire size, 3/8" stud size).
4. Contact A positive (red), Contact B negative (black)
5. See PPS-DC-004 for ring circuit battery wiring assembly.

**Polar Permanent GPS Station  
Battery Wiring Harness Pair**

<b>Part Number</b>	<b>Rev</b>
<b>PPS-DC-005</b>	<b>B</b>

**UNAVCO, Inc.**  
POLAR SERVICES  
6350 Nautilus Dr., Boulder CO 80301  
303-381-7500, 303-381-7451 fax

UNAVCO

Drawing: **S. White**  
Engineering: **S. White**  
Approval: **B. Johns**  
Date Modified: **March 20 2008**

SHEET **1** OF **1**