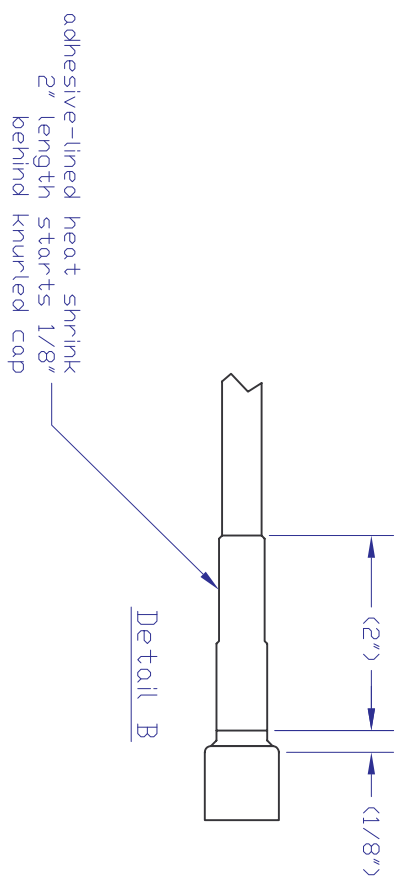
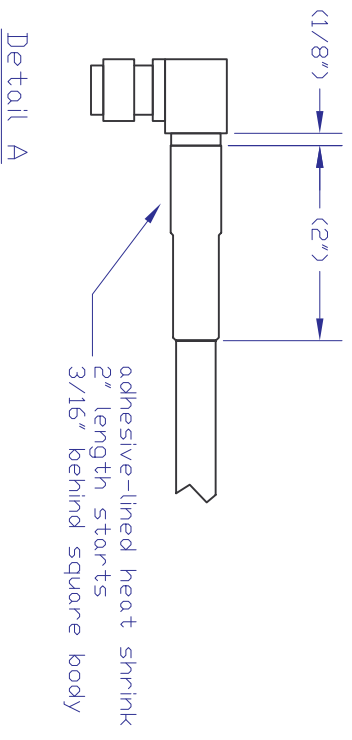
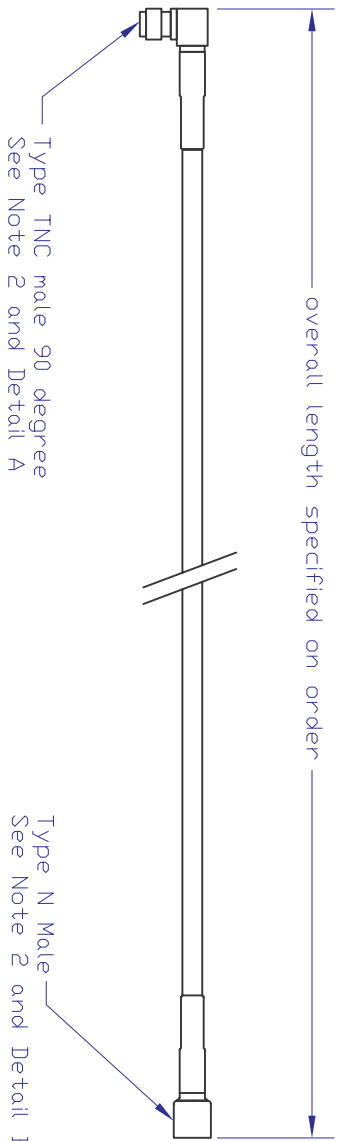



| REV | Description | Date | Appr. |
|-----|-----------------|--------|-------|
| A | Initial release | 3/8/13 | |



Notes:

1. Cable is Times Microwave LMR-400.
2. Connectors are crimp style, Times Microwave EZ-400-NMH-D and EZ-400-TM-RA.
3. Both connectors sealed with adhesive-lined heat shrink per Detail A and B.
4. Typical overall lengths:
GPS antenna cable, permanent GPS station: 100 ft.

**Polar Permanent GPS Station
External Antenna Cable, N-TNC90**

| | | | |
|------------------------------------------------------------------------------------|----------------|---------------------------------------------------------|----------------------------------------------|
|  | UNAVCO, Inc. | Part Number | Rev |
| | POLAR SERVICES | PPS-RF-010 | A |
| 6350 Nautilus Dr., Boulder CO 80301 303-381-7500, 303-381-7451 fax | | Drawing: S. White Engineering: S. White Approval: | Date Modified: March 19 2013 SHEET 1 OF 1 |