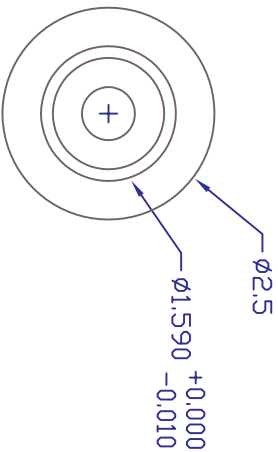
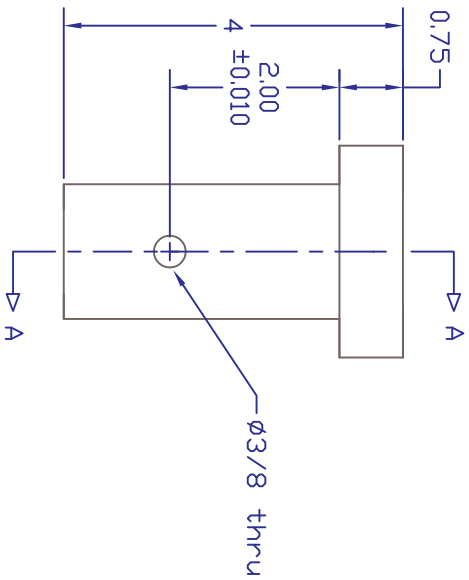
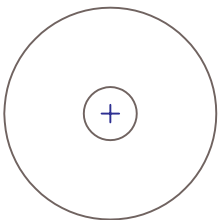
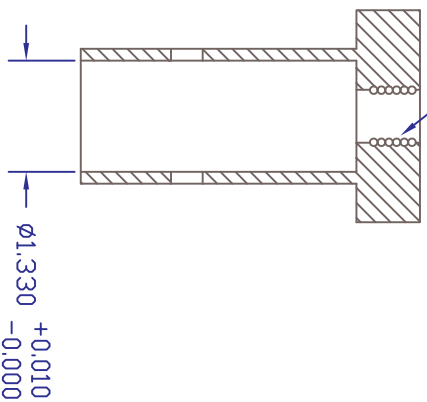


REV	Description	Date	Appr.
A	Initial Release	9/7/07	
B	Complete redesign	9/25/07	BJ
C	Mod. depth & ID of internal pocket	4/20/10	BJ
D	Adjust diameter tolerances	6/22/10	BJ
E	Thru hole now 5/8-11 helicoil insert	5/1/13	




drill $\phi 21/32"$ thru, tap with Helicoil tap P/N 8187-10, install 5/8-11 x 5/8" Helicoil threaded insert P/N 1185-10CN625.



NOTES:

1. Material: aluminum
2. Tolerances $\pm 0.05"$ unless noted
3. Adapter can be used with 1.5" sch 40 pipe (adapter OD) or 1" pipe of any schedule (adapter ID).
4. GPS antenna attaches with 5/8-11 x 1.25" socket head bolt.
5. Adapter attaches to pipe with 5/16-18 zinc-plated bolt and nylon locknut.

Polar Permanent GPS Station Snow/Ice Antenna Mount Adapter		Part Number	Rev
		PPS-TF-004	E

	UNAVCO, Inc. POLAR SERVICES	Drawing: S. White Engineer: S. White
	6350 Nautilus Dr., Boulder CO 80301 303-381-7500, 303-381-7451 fax	Approval: Date Modified: May 1 2013