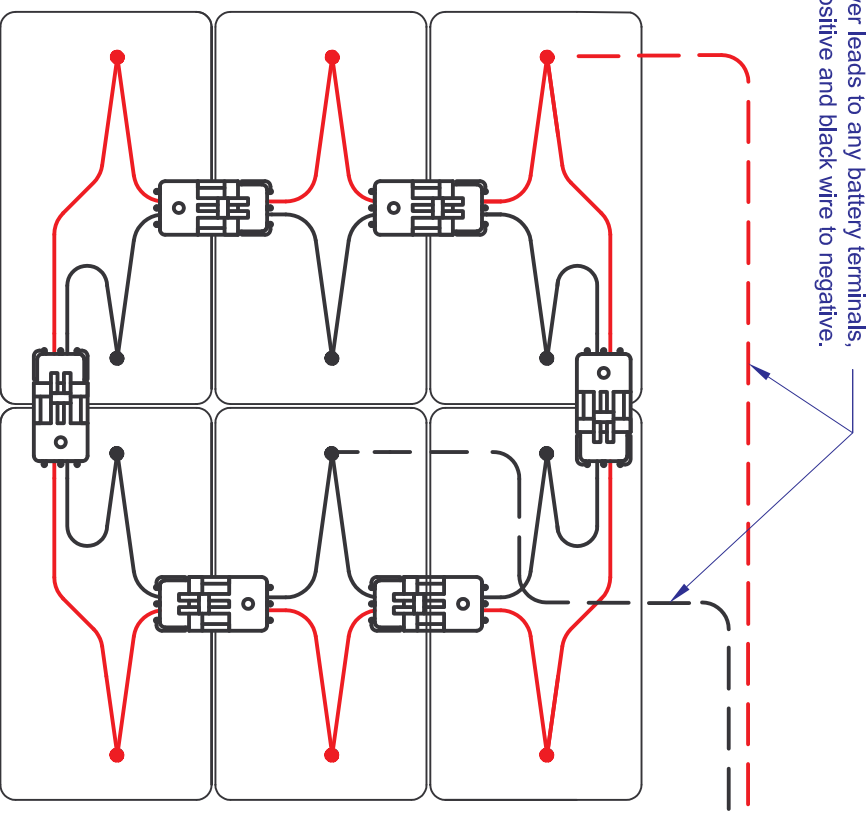


| REV | Description | Date | Appr. |
|-----|--|---------|-------|
| A | Initial release | 6-18-07 | |
| B | 10 batteries, new connectors shown | 11-6-07 | |
| C | Modified battery bank attachment points Added 6-battery diagram | 4/18/08 | BJ |
| D | Text changes, correct red/black wire dwg errors | 5/1/13 | |


Connect power leads to any battery terminals, red wire to positive and black wire to negative.



Battery Wiring Detail: Ring Circuit for 6 Batteries

NOTES:

1. See PPS-DC-005 for wiring harness element detail.
2. Two wiring harness elements attached to each battery to create ring circuit.
3. For main enclosure, battery bank connects directly to main board power leads.
For auxiliary battery enclosure, battery bank connects directly to thru-bulkhead connector on enclosure wall using internal battery cable HA-070051-03.

| | | | |
|---|--|---|--|
|  Polar Permanent GPS Station Battery Wiring Harness Assembly | | Part Number PPS-DC-004 | Rev D |
| UNAVCO, Inc. POLAR SERVICES 6350 Nautilus Dr., Boulder CO 80301 303-381-7500, 303-381-7451 fax | | Drawing: S. White Engineering: S. White Approval: | Date Modified: May 1 2013 SHEET 2 OF 2 |